

# Customer Information Sheet

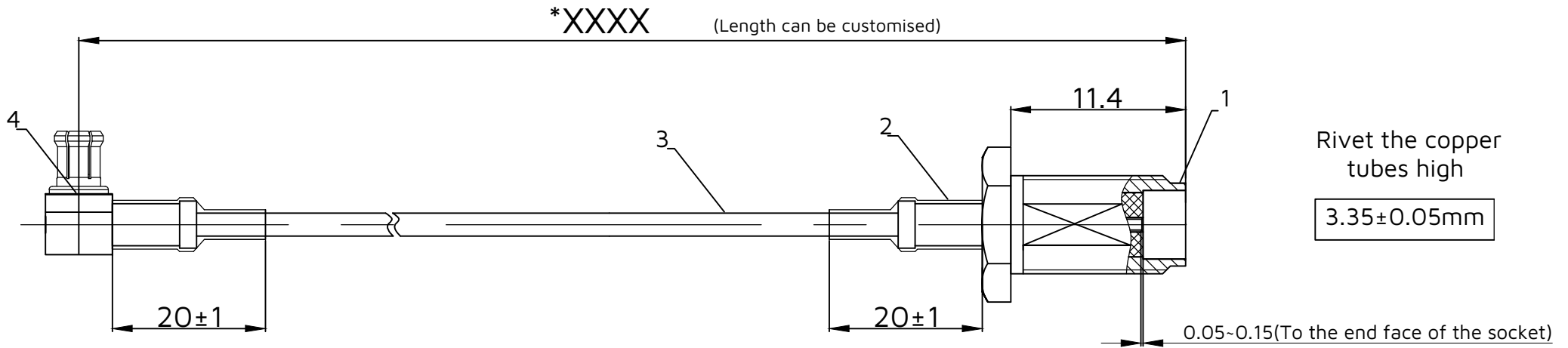
IF IN DOUBT - ASK



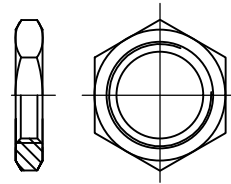
NOT TO SCALE

THIRD ANGLE PROJECTION

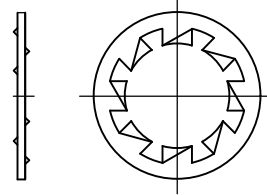
ALL DIMENSIONS IN mm



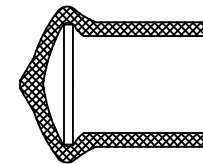
Note: The direction of the MCX cup mouth and the SMA milling plane is shown in the figure



Nut



Gasket



6. The black dust cap needs to be put on the connector

**Technical Requirements:**

- 100% open circuit and short circuit testing:  
Withstand voltage: AC 500V, Current: 0.05mA  
Insulation: DC 500V, Insulation resistance :500MΩ
- Frequency: DC-2 GHZ standing wave ≤1.3, insertion loss ≤0.4dB
- Note: The relative positions of SMA milling flat and MCX are shown in the figure.
- The materials used in this cable assembly must comply with the RoHS standard.
- Nuts and washers are packaged separately, 50 pieces per pack

0-500mm	±5mm
501-1000mm	±10mm
>1000mm	±20mm

5	Black dust cap				
4	MCX connector (with ring)	1	KC	1	03JUL25
3	RG316 brown line	1	NAME	ISS.	DATE
2	The black casing of Ø4.0 has no printed words	2	APPROVED: WALKER/MEIZY		
1	SMA female head and female needle (with a ring)	1	CHECKED: THIRI		
NO.	NAME	Q'TY	DRAWN: KC		



www.harwin.com

**TOLERANCES**  
 X. = ±1mm  
 X.X = ±0.50mm  
 X.XX = ±0.20mm  
 X.XXX = ±0.01mm  
 ANGLES = ±5-  
 UNLESS STATED

THIS DRAWING AND ANY INFORMATION OR DESCRIPTIVE MATTER SET OUT HEREON ARE CONFIDENTIAL AND COPYRIGHT PROPERTY OF THE HARWIN GROUP AND MUST NOT BE DISCLOSED, LOANED, COPIED OR USED FOR MANUFACTURING, TENDERING OR FOR ANY OTHER PURPOSE WITHOUT THEIR WRITTEN PERMISSION.

MATERIAL & FINISH:

TITLE:

MCX+RG316 Brown Cable+SMA

DRAWING NUMBER:

MMCB-060102XXXX-S-001

SHT  
1  
OF  
1