

# Customer Information Sheet

IF IN DOUBT - ASK

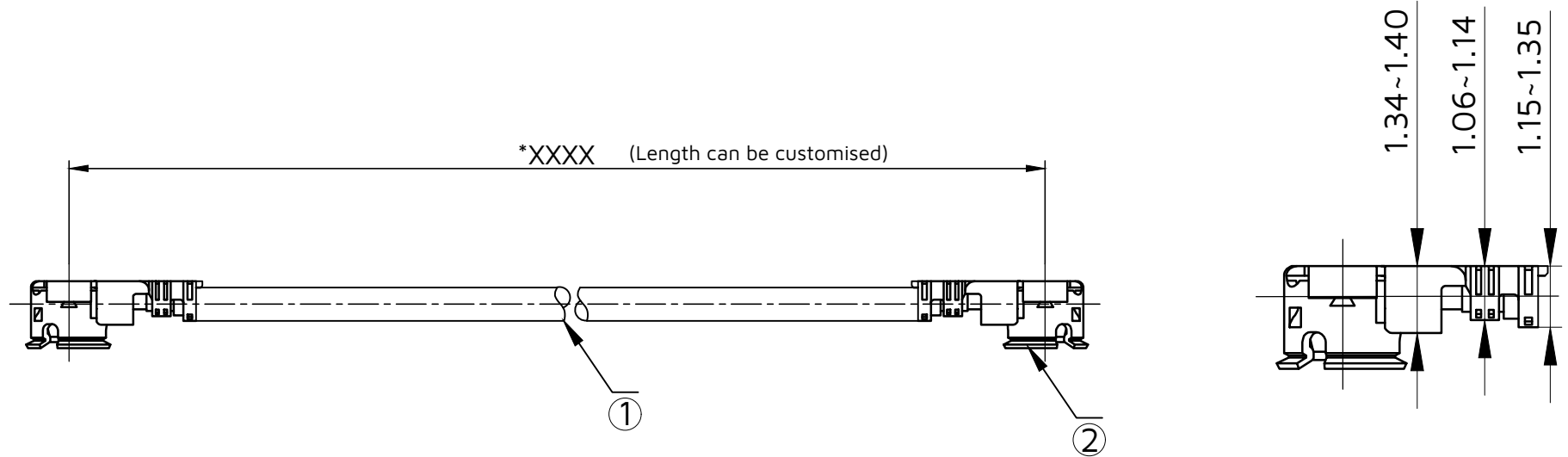
©

NOT TO SCALE

THIRD ANGLE PROJECTION

ALL DIMENSIONS IN mm

Allowable deviation of Angle  $\pm 45^\circ$



**Technical requirements:**

1. 100% open circuit and short circuit testing:  
Withstand voltage: AC 500V; Insulation: DC 500V  
Insulation resistance: 500M $\Omega$
2. Net instrument test; DC-6GHz 1.5
3. The size marked with \* is the key inspection size.
4. Materials comply with ROHS standards.
5. The salt spray test must meet the following requirements: 48H .
6. The radio frequency range requirements should meet the specifications.
7. The appearance of the product can not be damaged,  
and the appearance of the product has no color difference.

*Cable Length and Tolerance Table	
0-500mm	$\pm 5$ mm
501-1000mm	$\pm 10$ mm
>1000mm	$\pm 20$ mm

ITEM NO.	DESCRIPTION	plating
1	RF CABLE	Black
2	I-PEX CONNECTOR	Au

KC	1	08JUL25	--
NAME	ISS.	DATE	CN/CO
APPROVED: WALKER/MEIZY			
CHECKED: THIRI			
DRAWN: KC			

# HARWIN

www.harwin.com

**TOLERANCES**

X. =  $\pm 1$ mm  
 X.X =  $\pm 0.50$ mm  
 X.XX =  $\pm 0.20$ mm  
 X.XXX =  $\pm 0.01$ mm  
 ANGLES =  $\pm 5^\circ$   
 UNLESS STATED

THIS DRAWING AND ANY INFORMATION OR DESCRIPTIVE MATTER SET OUT HEREON ARE CONFIDENTIAL AND COPYRIGHT PROPERTY OF THE HARWIN GROUP AND MUST NOT BE DISCLOSED, LOANED, COPIED OR USED FOR MANUFACTURING, TENDERING OR FOR ANY OTHER PURPOSE WITHOUT THEIR WRITTEN PERMISSION.

**MATERIAL & FINISH:**

SEE ABOVE

**TITLE:**

RF 1.13 Black Cable I-PEX

**DRAWING NUMBER:**

MMCB-070705XXXX-S-001

SHT  
1  
OF  
1